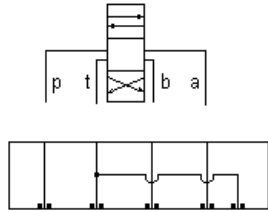
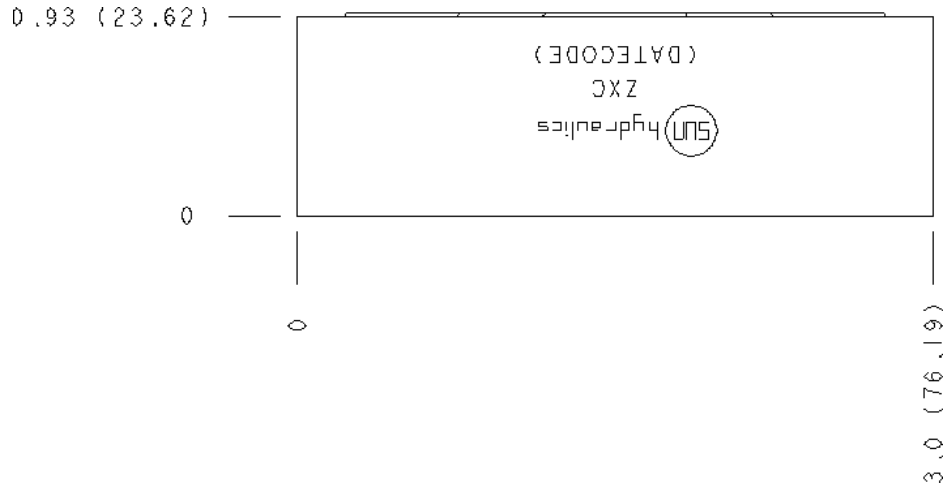
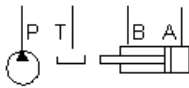


MODELL
ZXC

Adapter für zweiten T Anschluss



Circuit Saver, ISO 05 to ISO 05 with Dual Tank Ports



KONFIGURATION ÄNDERN

(none) Modifier 6061-T651 Aluminum, Buna-N

KOMPONENTEN

Part	Beschreibung	Anzahl
340-003	Pipe Plug	1
500-001-014	O-Ring	5

TECHNISCHE DATEN

Gehäusetyp	Sandwich
Lochbild	ISO 05
Gehäuseeigenschaften	Adapter für zweiten T Anschluss
Verkettungshöhe	24 mm
Open Cavities	0
Gewicht	0.27 kg.

BEMERKUNGEN

Important: Carefully consider the maximum system pressure. The pressure rating of the manifold is dependent on the manifold material, with the port type/size a secondary consideration. Manifolds constructed of aluminum are not rated for pressures higher than 3000 psi (210 bar), regardless of the port type/size specified.

CONFIGURATION OPTIONS

MODIFIER

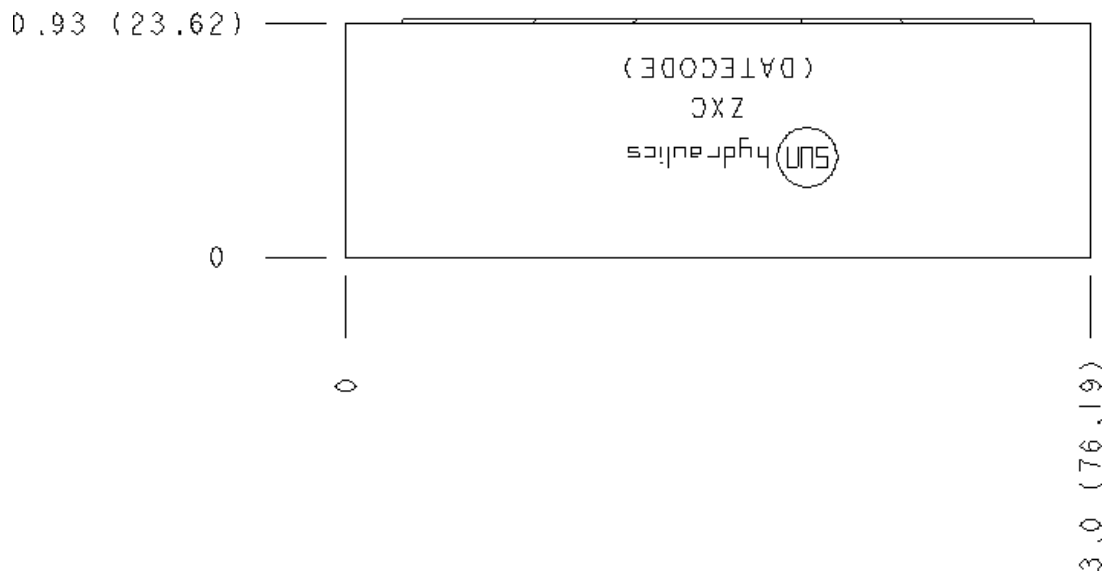
Standard Options	Modifier	Description
		6061-T651 Aluminum, Buna-N
/S		65-45-12 Ductile Iron, Buna-N, Blackened
/V		6061-T651 Aluminum, Viton
/Y		65-45-12 Ductile Iron, Viton, Blackened

MANIFOLD FACES

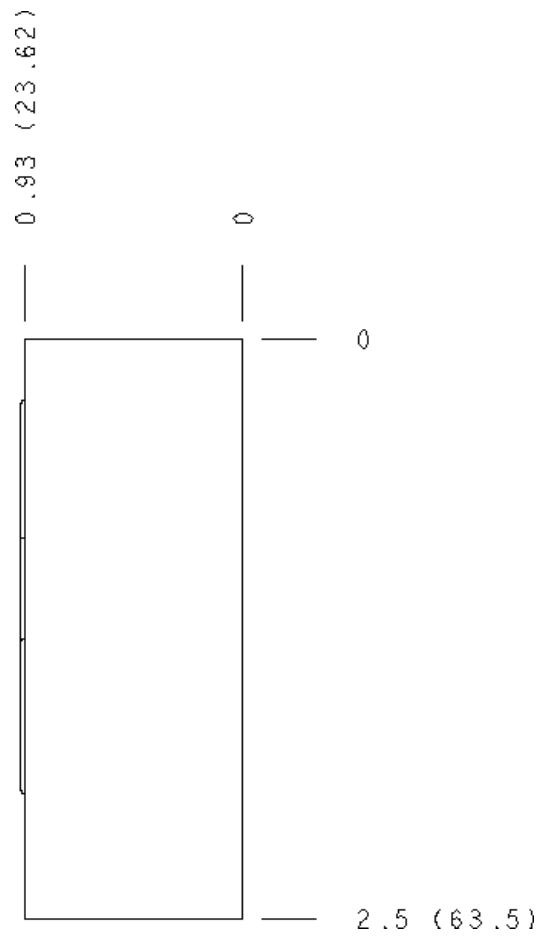
FACE GRID

1	2	3	4
5	6	7	8
9	10	11	12

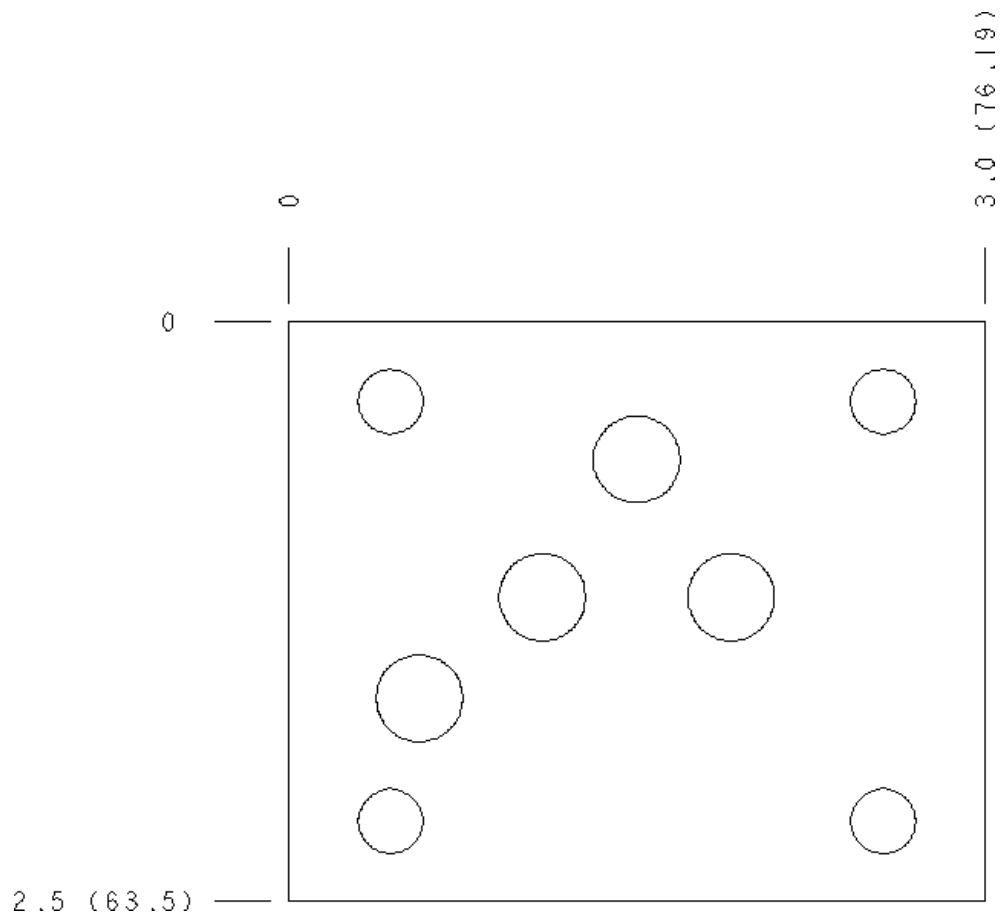
Face 2



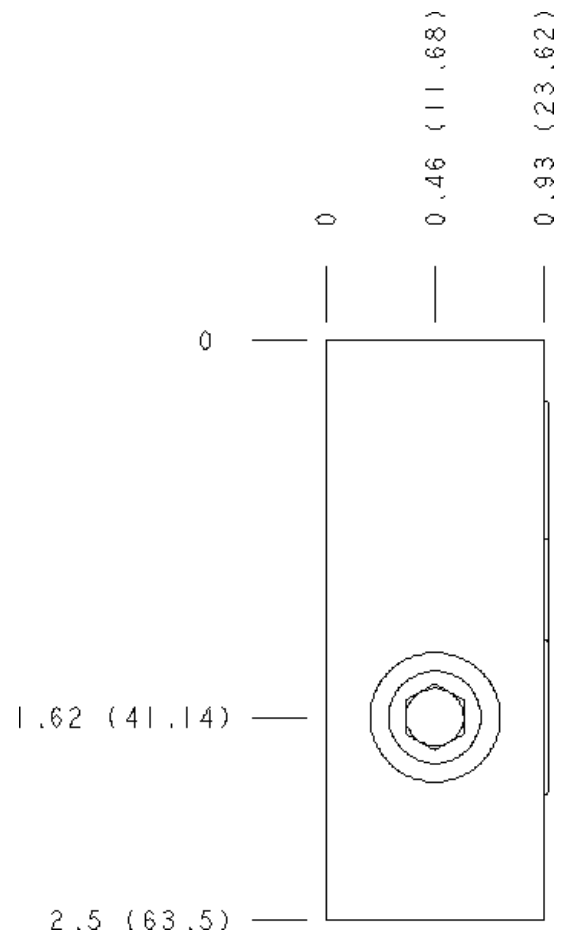
Face 5



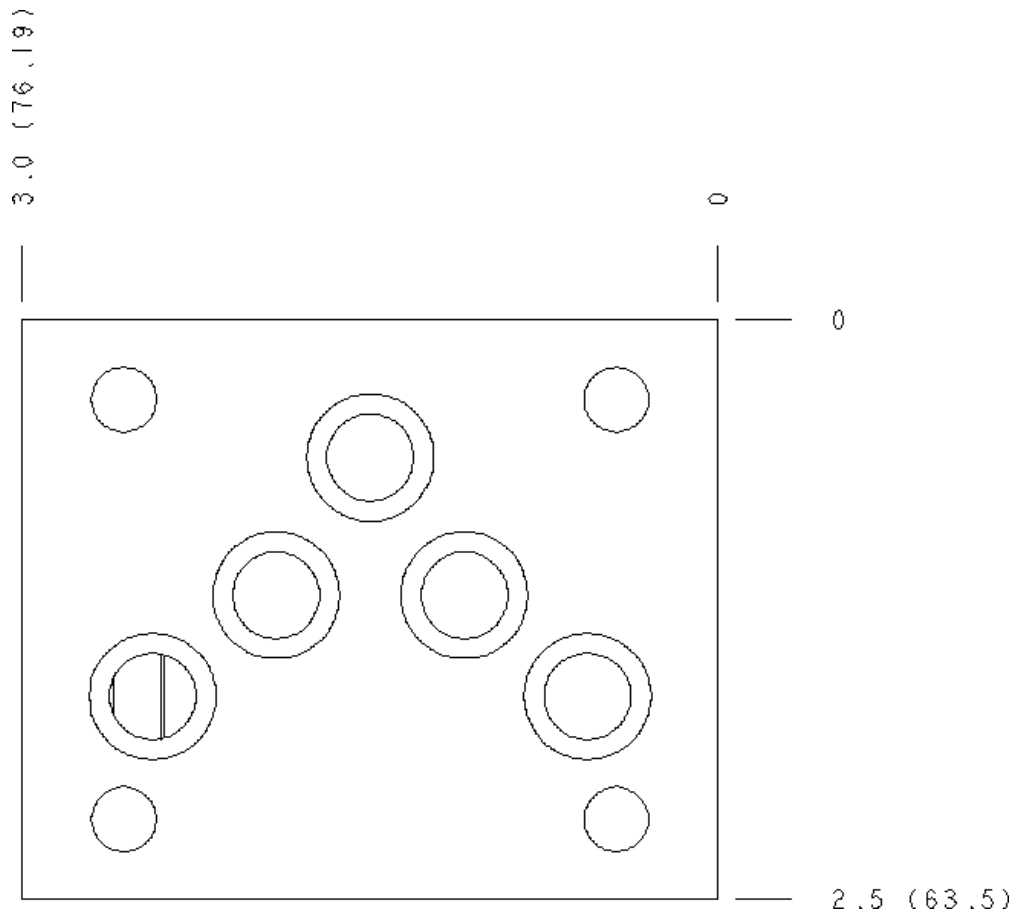
Face 6



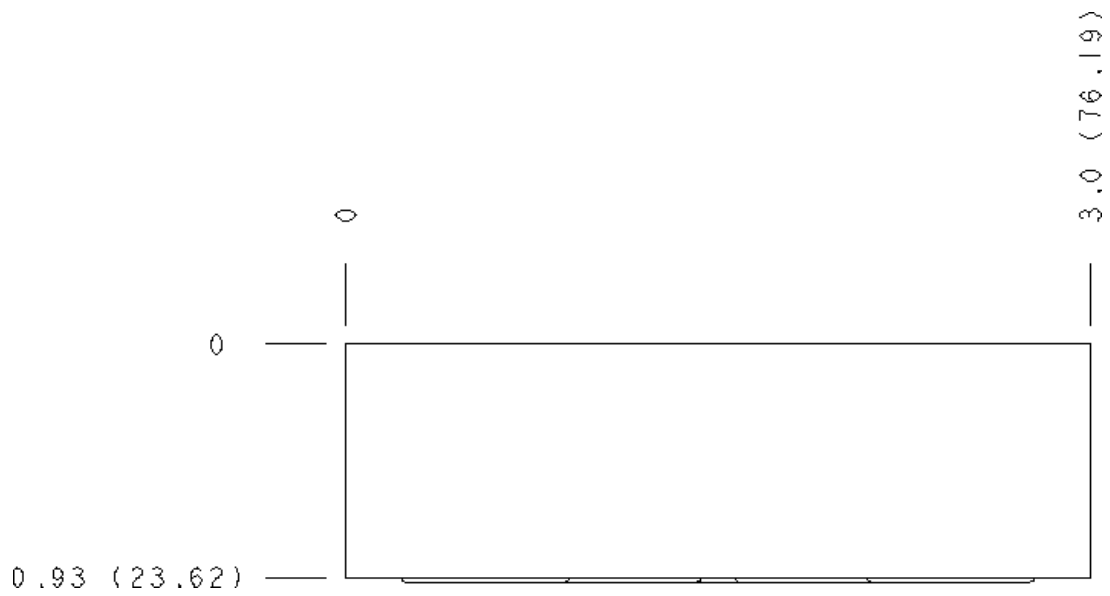
Face 7



Face 8



Face 10



Copyright © 2002-2014 Sun Hydraulics Corporation. All rights reserved.