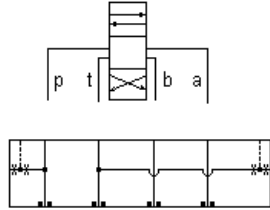
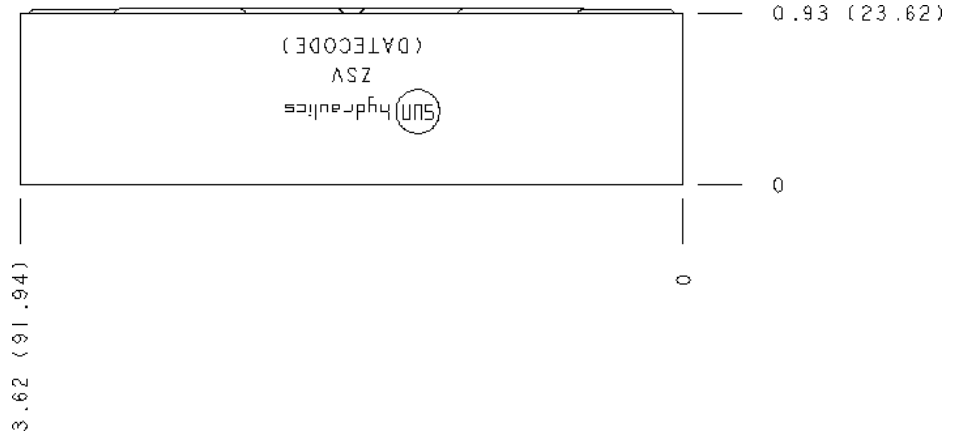
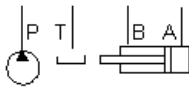


MODELL
ZSV-/M

Adapter von ISO 05 auf ISO 05 - X und Y (US)



Circuit saver, Adapts from ISO 05 to D05H with x&y (US)



KONFIGURATION ÄNDERN

/M	Modifier	6061-T651 Aluminum, Metric, Buna-N
----	----------	--

PORT HEADINGS AND SIZES

Model	Port Heading	Size
ZSV	Ports X & Y	1/4" NPTF
ZSV/M	Ports X & Y	1/4" BSPP

BEMERKUNGEN

Important: Carefully consider the maximum system pressure. The pressure rating of the manifold is dependent on the manifold material, with the port type/size a secondary consideration. Manifolds constructed of aluminum are not rated for pressures higher than 3000 psi (210 bar), regardless of the port type/size specified.

TECHNISCHE DATEN

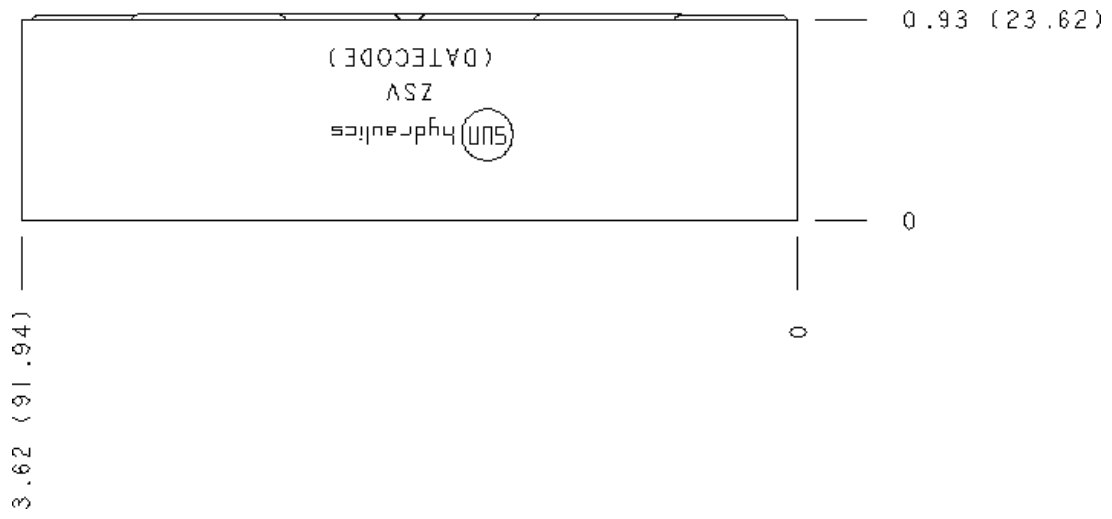
Gehäusotyp	Sandwich
Lochbild	ISO 05
Gehäuseeigenschaften	Adapter von ISO 05 auf ISO 05 - X und Y (US)
Verkettungshöhe	24 mm
Open Cavities	0
Anschlussgröße	1/4" NPTF
Gewicht	0.00 kg.

MANIFOLD FACES

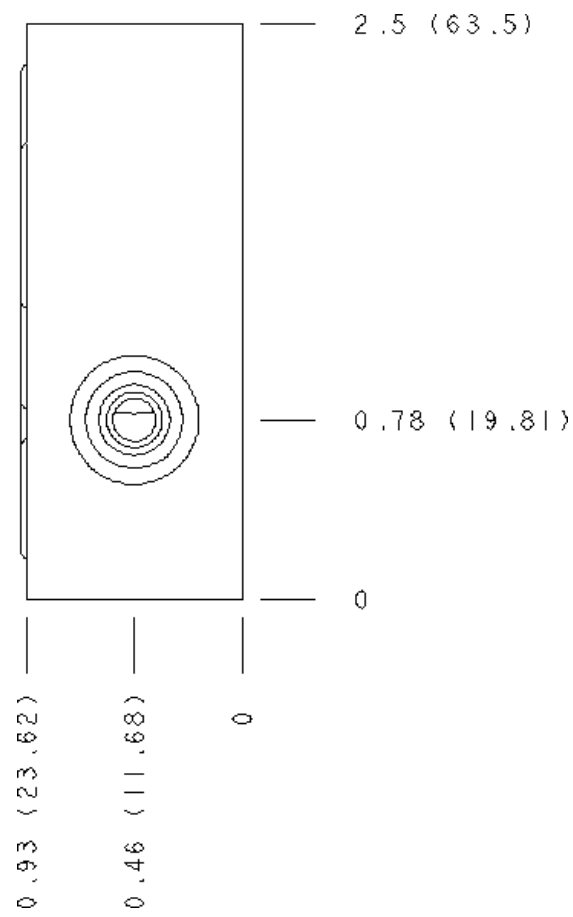
FACE GRID

1	2	3	4
5	6	7	8
9	10	11	12

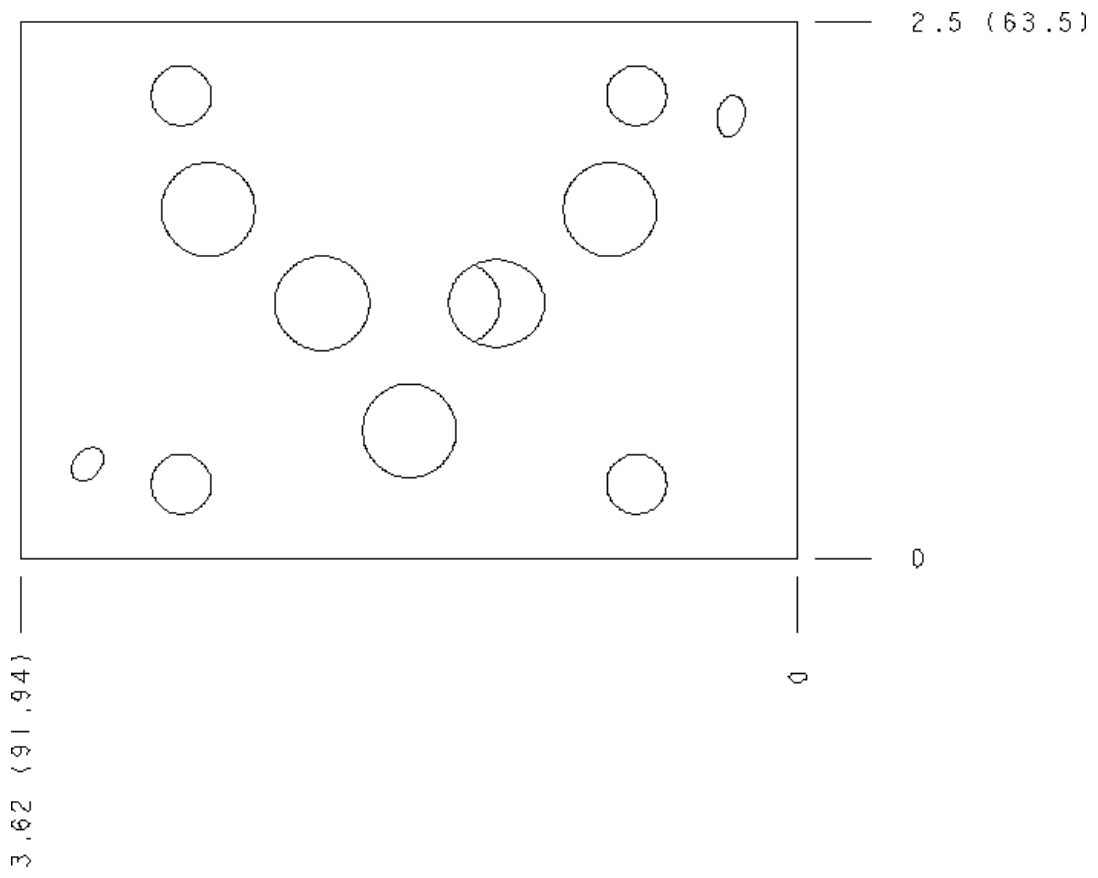
Face 2



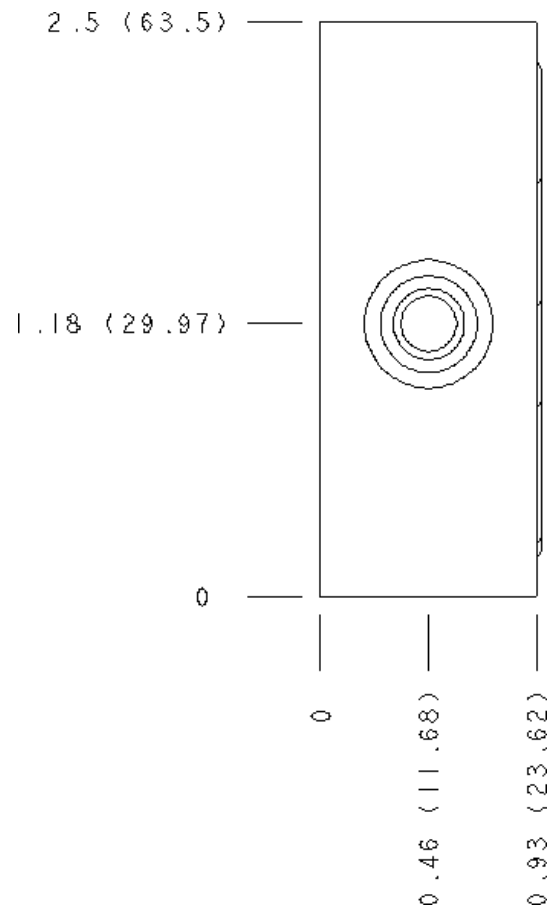
Face 5



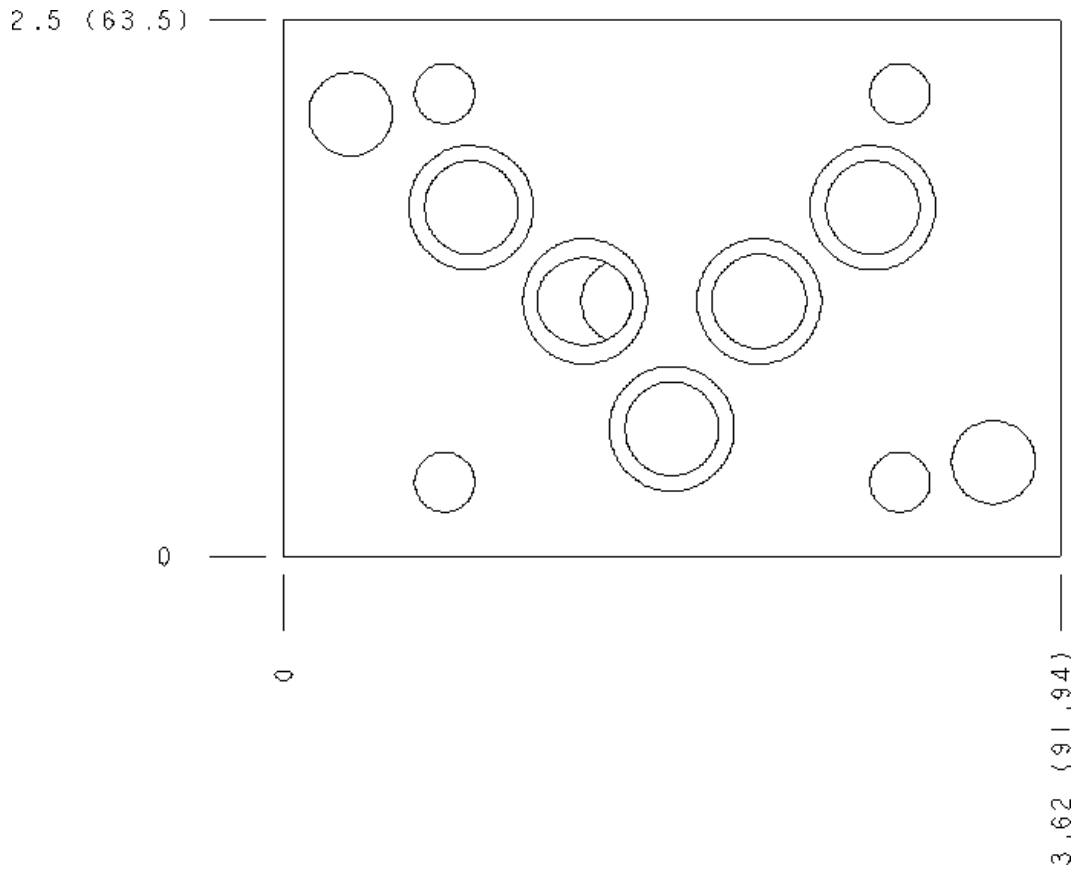
Face 6



Face 7



Face 8



Copyright © 2002-2014 Sun Hydraulics Corporation. All rights reserved.