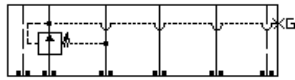
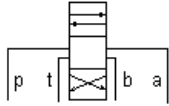
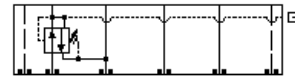


MODELL
HBO-/M

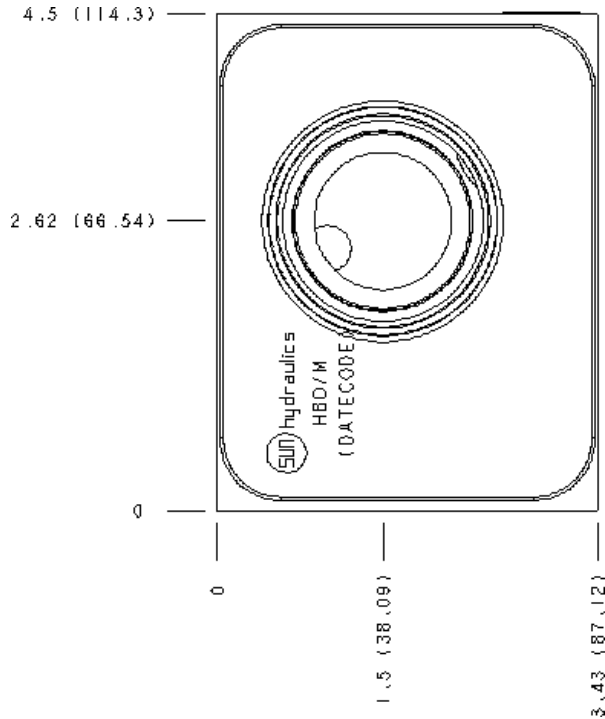
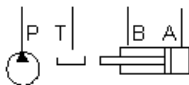
In P, Anschluss3 nach T
EINSCHRAUBBOHRUNG: T-19A



Reducing, On P, Drained to T



Reducing/Relieving, On P Tank to T,
Drained to T



KONFIGURATION ÄNDERN

| | | |
|----|----------|--|
| /M | Modifier | 6061-T651 Aluminum, Metric, Buna-N |
|----|----------|--|

PORT HEADINGS AND SIZES

| Model | Port Heading | Size |
|-------|---------------------|-----------|
| HBO | Gage Port (Plugged) | 1/4" NPTF |
| HBO/M | Gage Port (Plugged) | 1/4" BSPP |

BEMERKUNGEN

Important: Carefully consider the maximum system pressure. The pressure rating of the manifold is dependent on the manifold material, with the port type/size a secondary consideration. Manifolds constructed of aluminum are not rated for pressures higher than 3000 psi (210 bar), regardless of the port type/size specified.

TECHNISCHE DATEN

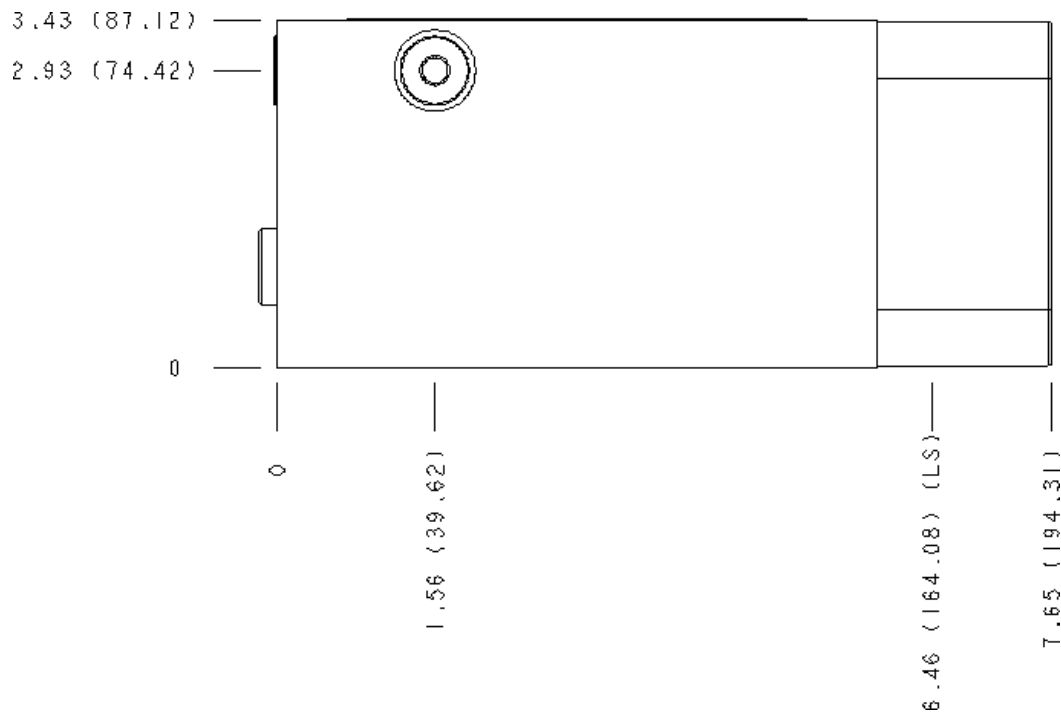
| | |
|----------------------|-------------------------|
| Gehäusotyp | Sandwich |
| Lochbild | ISO 08 |
| Gehäuseeigenschaften | In P, Anschluss3 nach T |
| Verkettungshöhe | 87 mm |
| Einschraubbohrung | T-19A |
| Open Cavities | 1 |
| Anschlussgröße | 1/4" NPTF |
| Gewicht | 0.00 kg. |

MANIFOLD FACES

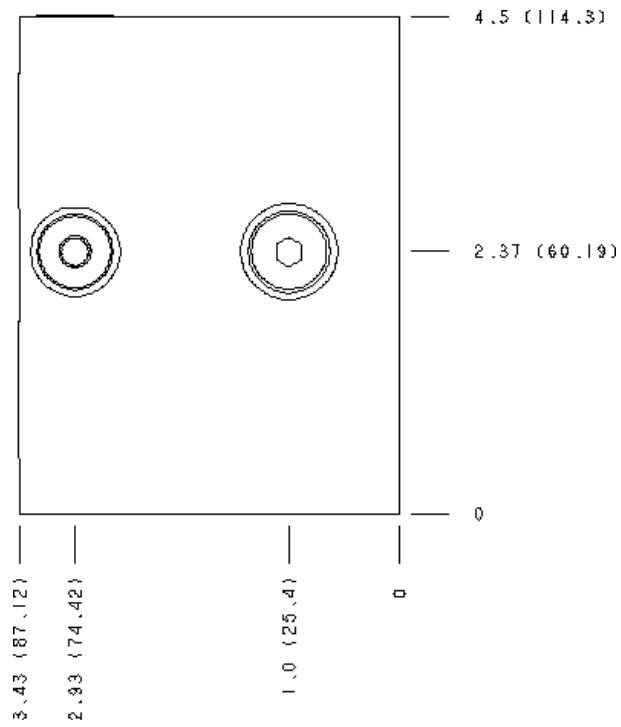
FACE GRID

| | | | |
|---|----|----|----|
| 1 | 2 | 3 | 4 |
| 5 | 6 | 7 | 8 |
| 9 | 10 | 11 | 12 |

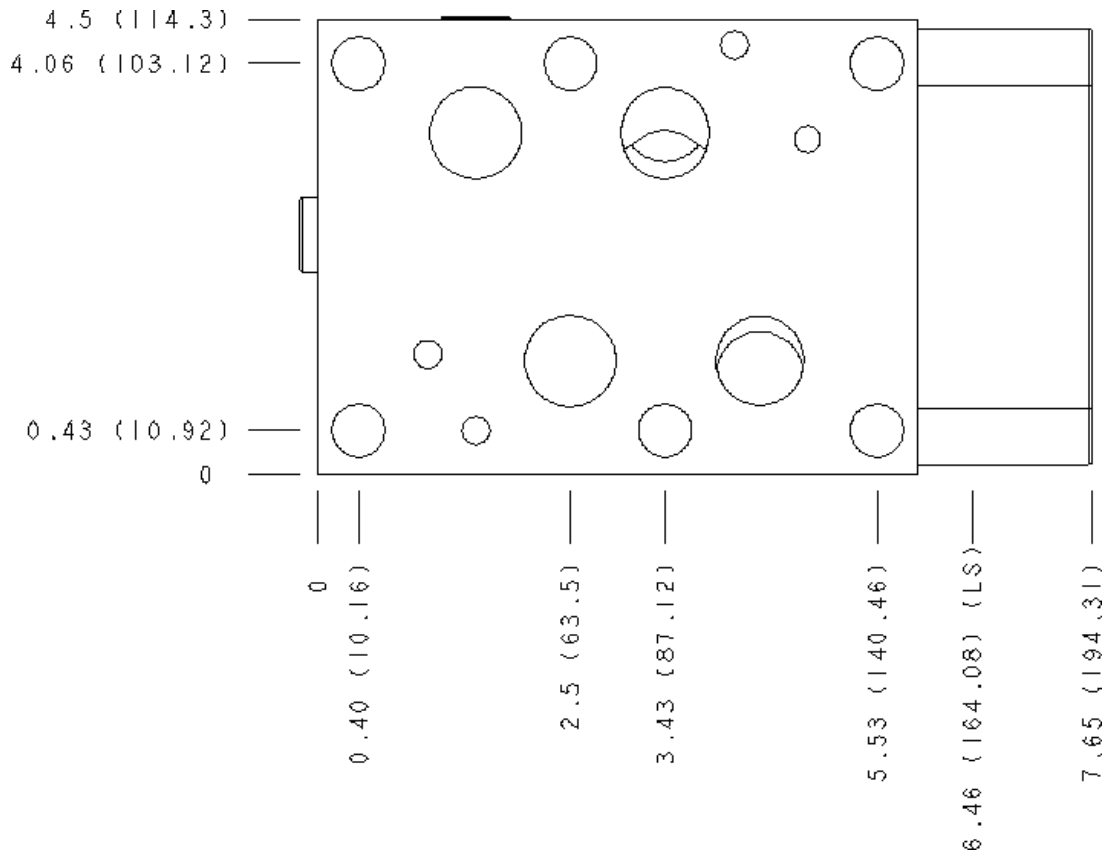
Face 2



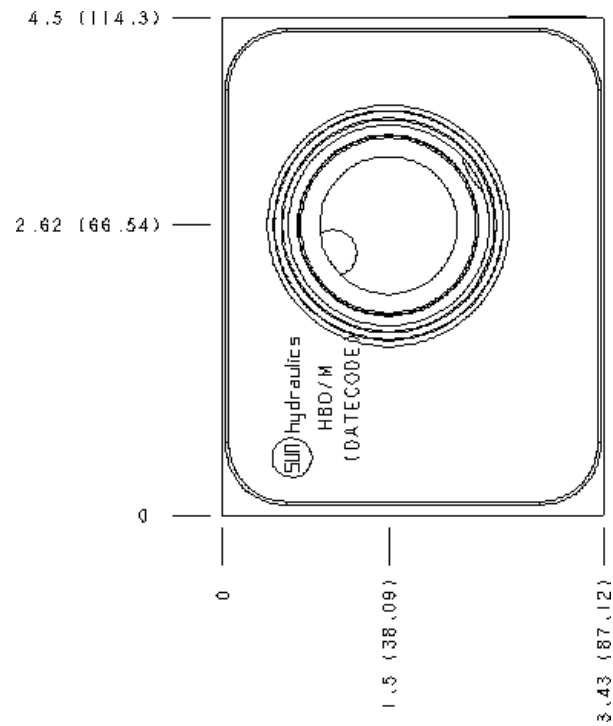
Face 5



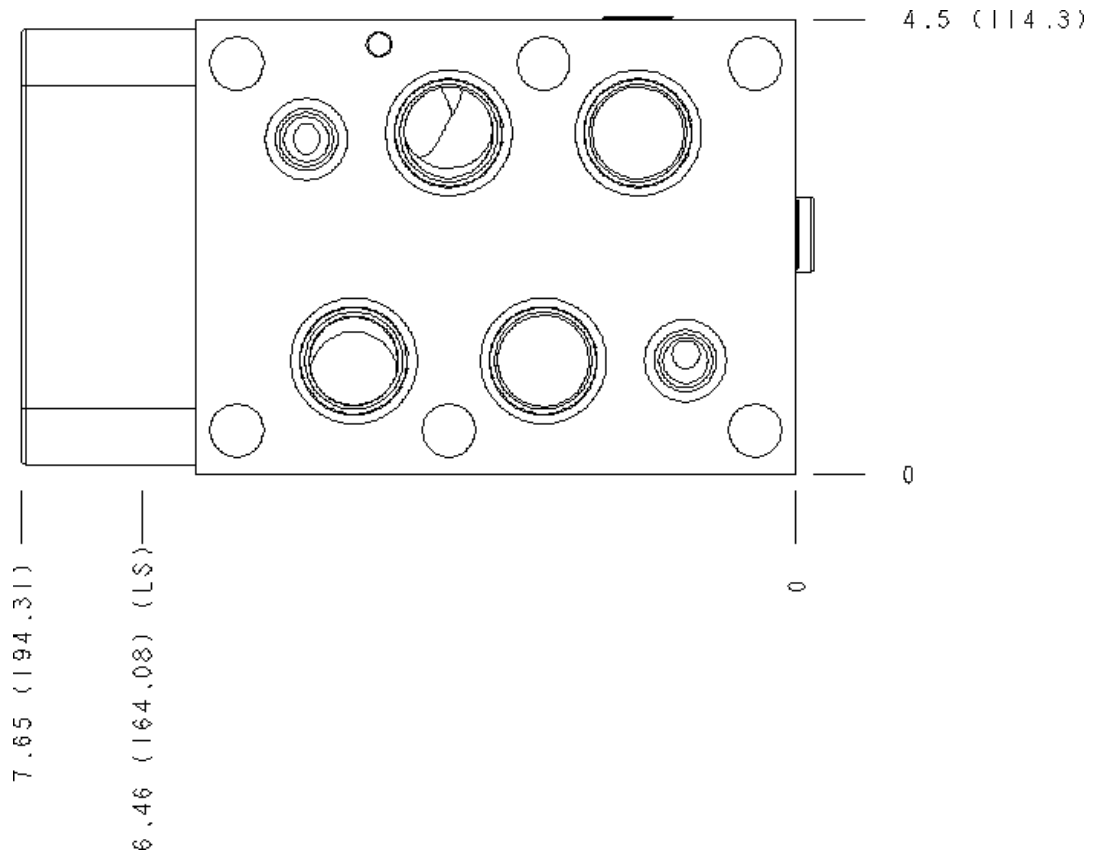
Face 6



Face 7



Face 8



Copyright © 2002-2014 Sun Hydraulics Corporation. All rights reserved.